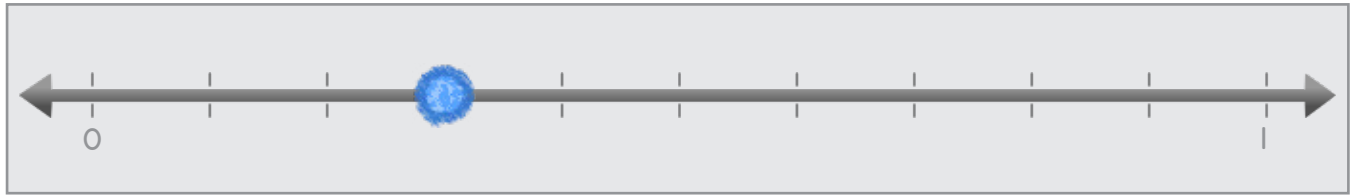


Name: \_\_\_\_\_ Date: \_\_\_\_\_

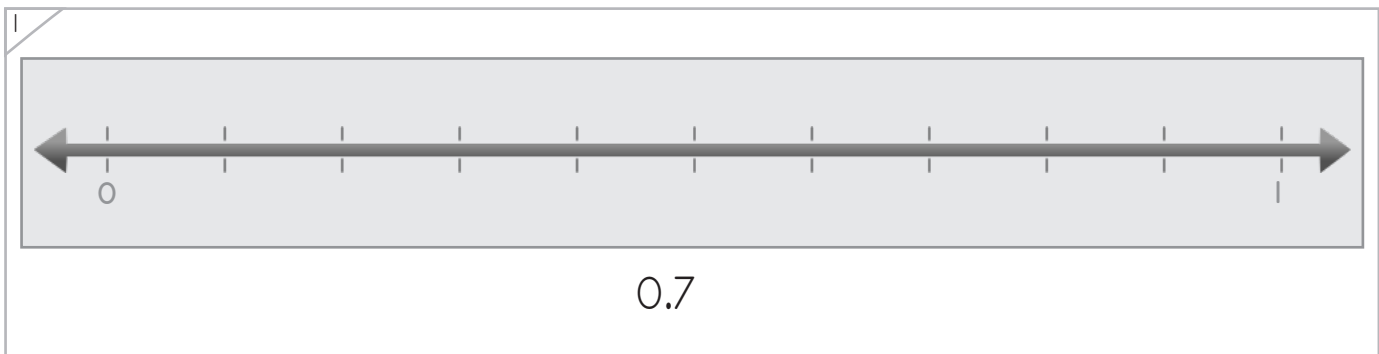


Draw a dot to match the decimal.

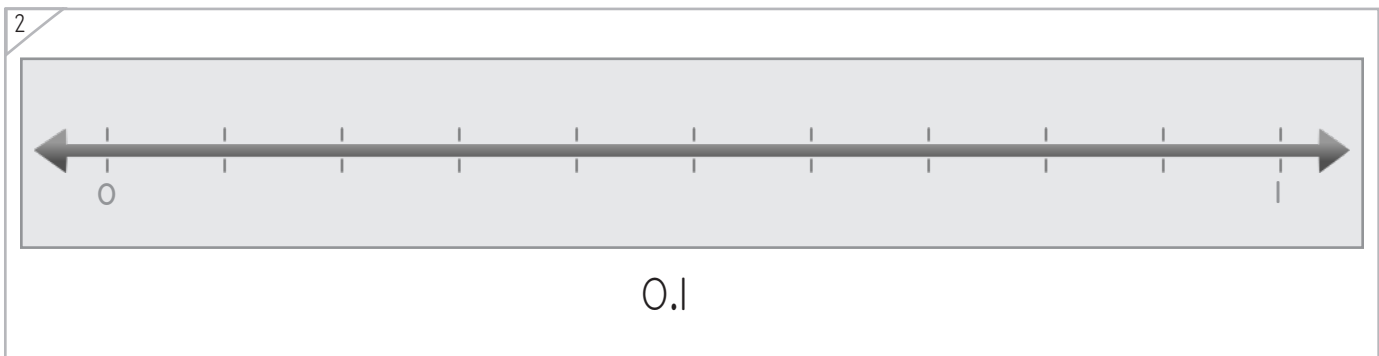
Example



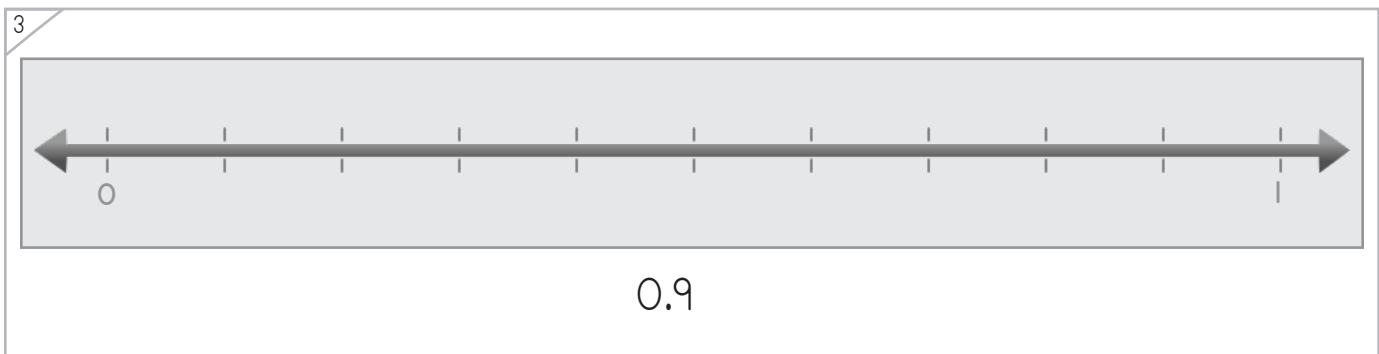
0.3



0.7



0.1



0.9

Copyright © 2014 Symphony Learning LLC. Permission is granted to reproduce this sheet for classroom use.

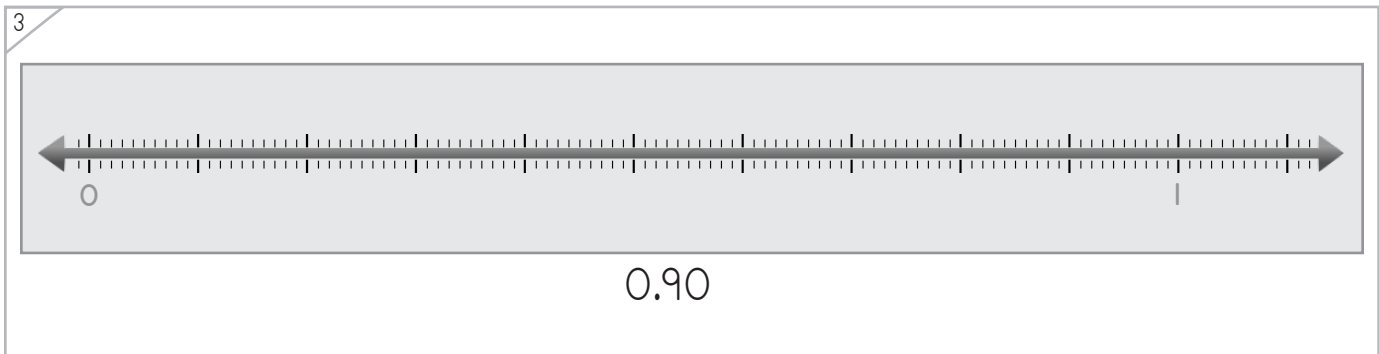
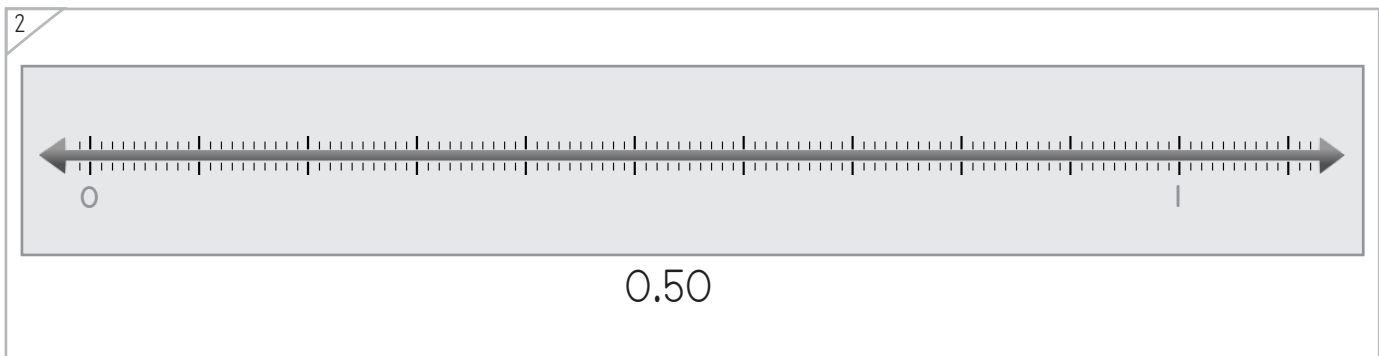
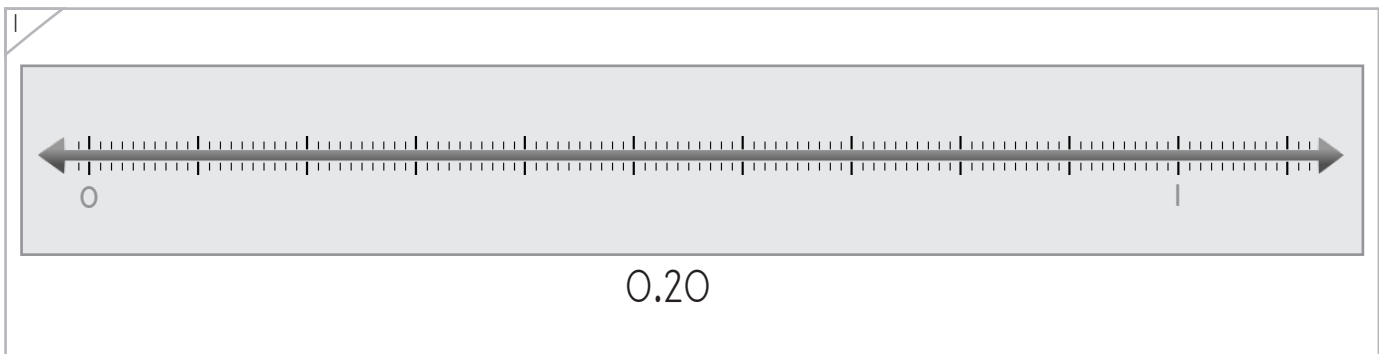
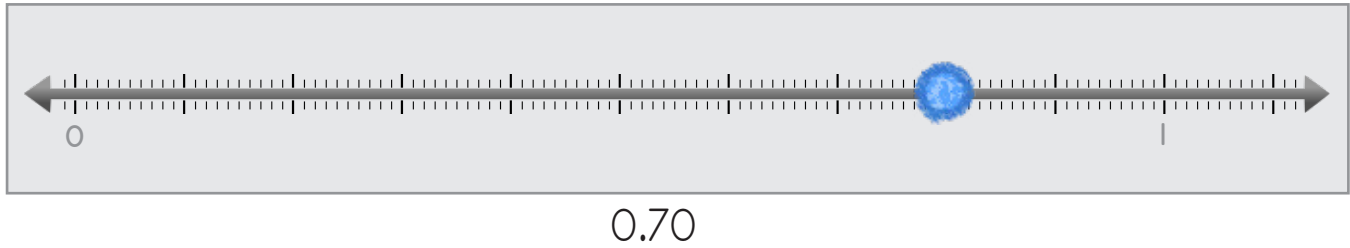


Name: \_\_\_\_\_ Date: \_\_\_\_\_



Draw a dot to match the decimal.

Example



Copyright © 2014 Symphony Learning LLC. Permission is granted to reproduce this sheet for classroom use.



Name: \_\_\_\_\_ Date: \_\_\_\_\_



Shade each bar to match the decimal.

Example



0.6

1

0.8

2

0.3

3

0.7

Copyright © 2014 Symphony Learning LLC. Permission is granted to reproduce this sheet for classroom use.



Name: \_\_\_\_\_ Date: \_\_\_\_\_



Shade each bar to match the decimal.

Example



0.80



0.40



0.50



0.70



Name: \_\_\_\_\_ Date: \_\_\_\_\_

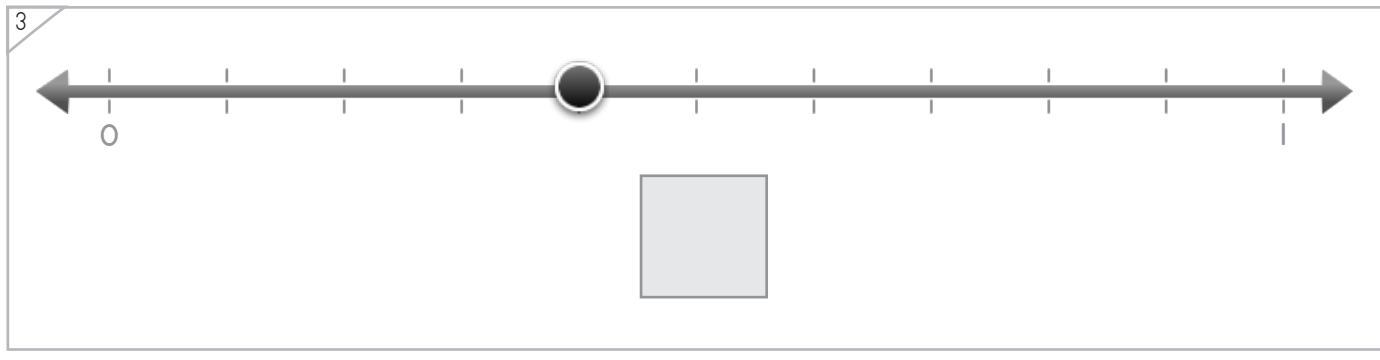
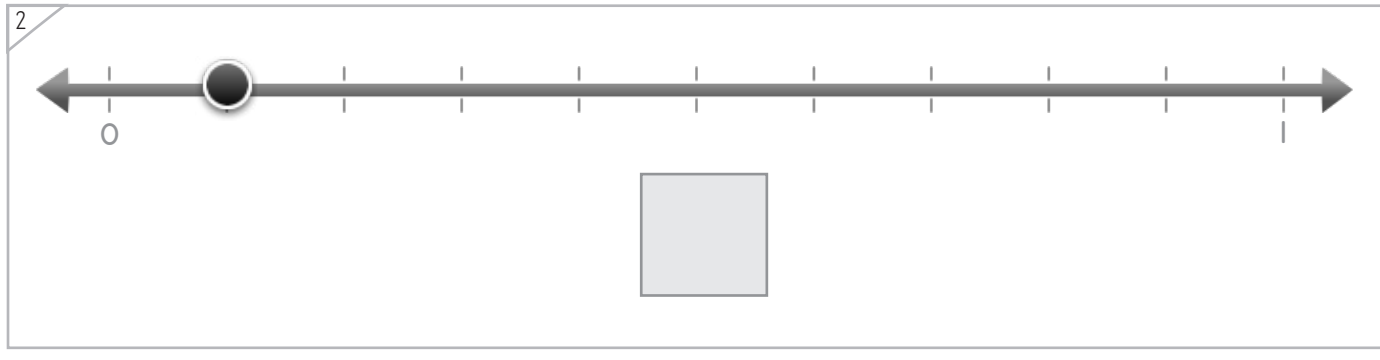
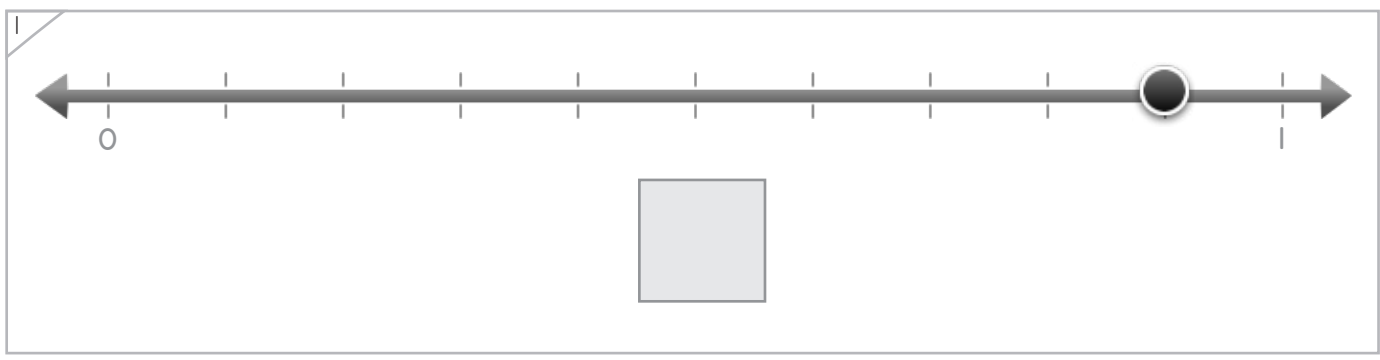


Write the missing decimal.

Example



0.8



Copyright © 2014 Symphony Learning LLC. Permission is granted to reproduce this sheet for classroom use.



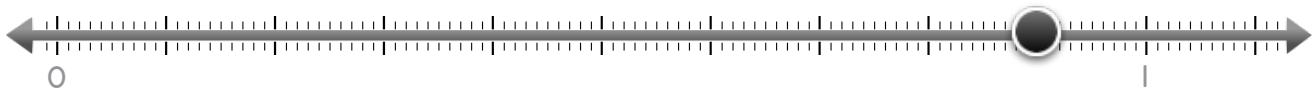
Name: \_\_\_\_\_ Date: \_\_\_\_\_



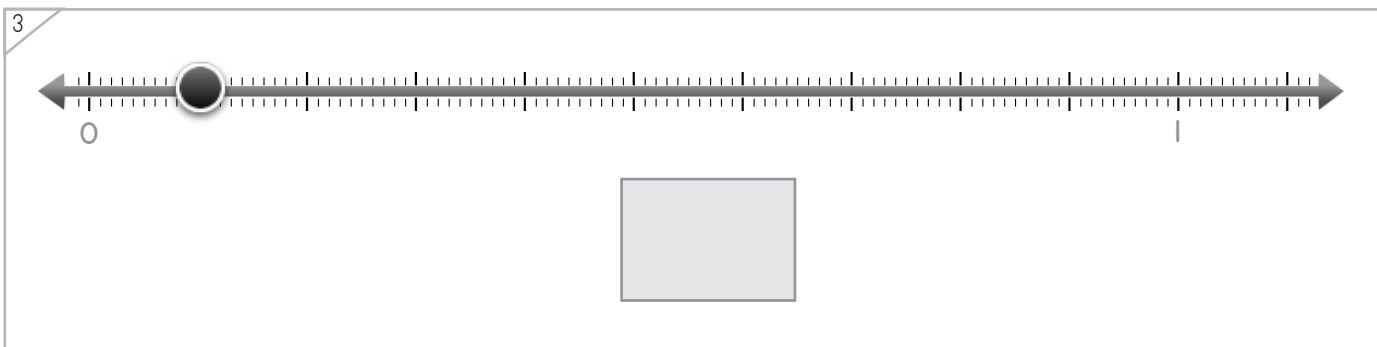
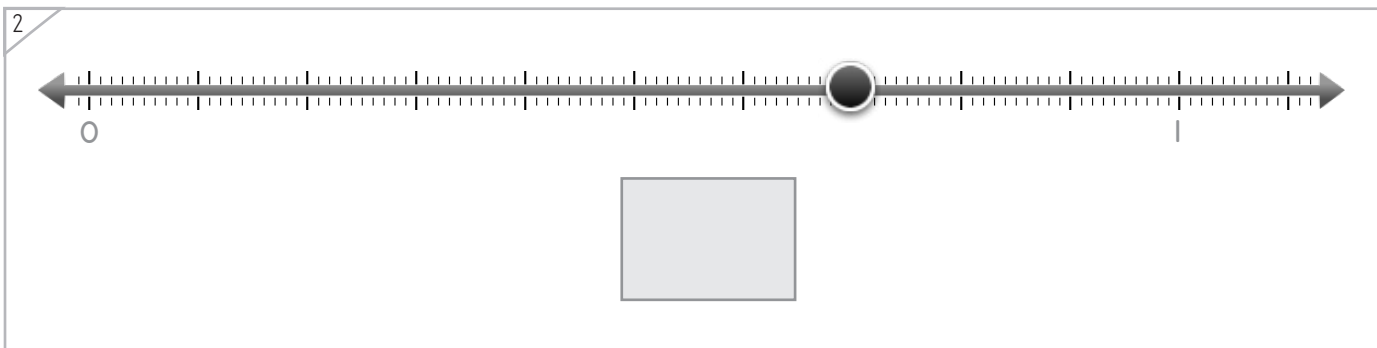
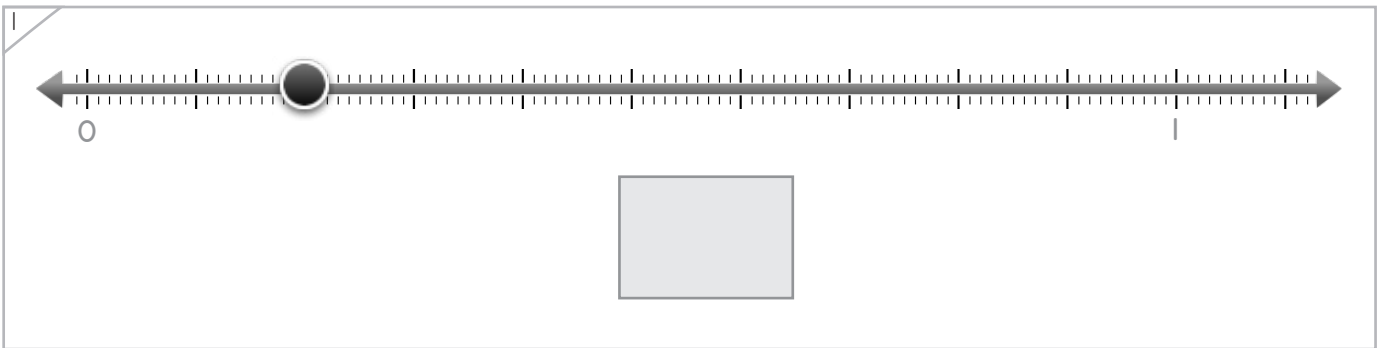
Manipulatives and Symbols

Write the missing decimal.

Example



0.90



Copyright © 2014 Symphony Learning LLC. Permission is granted to reproduce this sheet for classroom use.



Name: \_\_\_\_\_ Date: \_\_\_\_\_



Manipulatives and Symbols

Shade each bar or write the decimal to match.

Example



0.6

1

\_\_\_\_\_

2

\_\_\_\_\_

3

\_\_\_\_\_

Copyright © 2014 Symphony Learning LLC. Permission is granted to reproduce this sheet for classroom use.



Name: \_\_\_\_\_ Date: \_\_\_\_\_



Manipulatives and Symbols

Shade each bar or write the decimal to match.

Example



0.30

1

2

0.40

3

Copyright © 2014 Symphony Learning LLC. Permission is granted to reproduce this sheet for classroom use.

